



MINI COOPER S.



HOW THE MINI COOPER S SETS YOUR PULSE RACING.

There's never a dull moment at the wheel of the MINI Cooper S ①. Start the car, and off you go. As the rev counter rises ②, so does your pulse. And suddenly, there's this extraordinary feeling of happiness③. Could it be love?



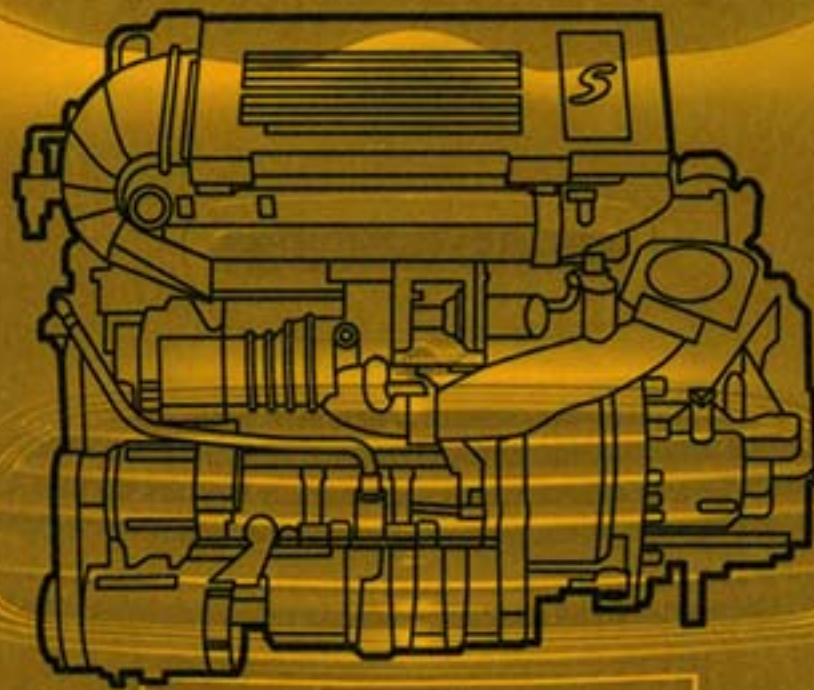


THE SECRET BEHIND THE SMILE.

The MINI Cooper S always seems to have a smile on its face ①. So what's the secret ②? You'd look happy too if you could perform like this ③. 163 bhp (120 kW) is enough to make anyone smile.

A special engine.

- 1.6-litre engine with supercharger, specially designed for the Cooper S
- 120 kW (163 bhp)
- Maximum speed 218 km/h
- 0 to 100 km/h in 7.4 seconds
- Sporty six-speed gearbox
- Aluminium cylinder head, 16 valves
- Thin cast metal engine block
- Quieter, low-vibration running
- Intercooler



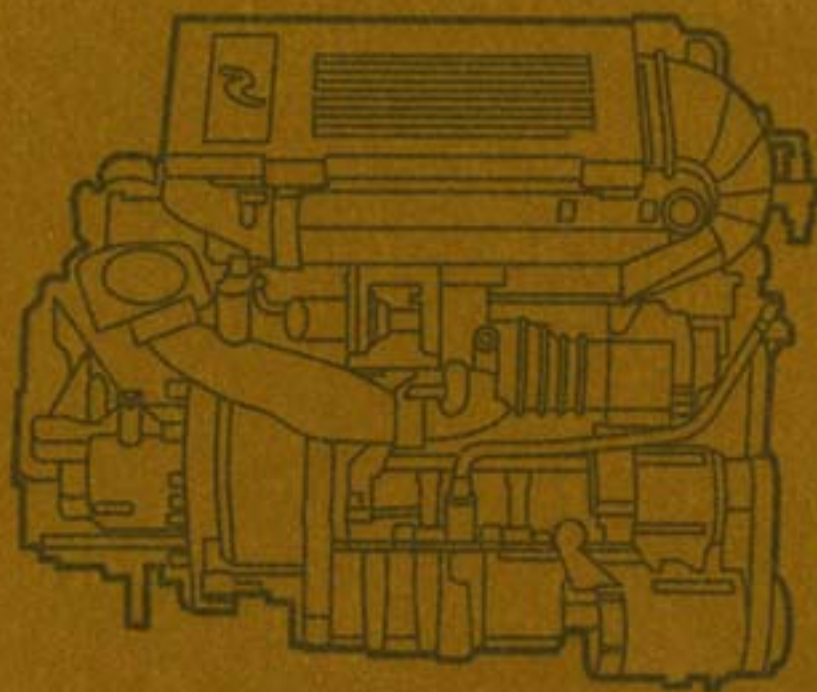
MINI COOPER S

Intercooler	■
Quieter low-vibration running	■
Thin cast metal engine block	■
Aluminum cylinder head, 16 valves	■
Sporty six-speed gearbox	■
0 to 100 km/h in 7.4 seconds	■
Maximum speed 218 km/h	■
120 kW (163 bhp)	■
1.6-litre engine with supercharger, specially designed for the Cooper S	■
A special engine.	



THE SECRET BEHIND THE SMILE.

The MINI Cooper S always seems to have a smile on its face ①. So what's the secret ②? You'd look happy too if you could perform like this ③. 163 bhp (120 kW) is enough to make anyone smile.





MINI COOPER S

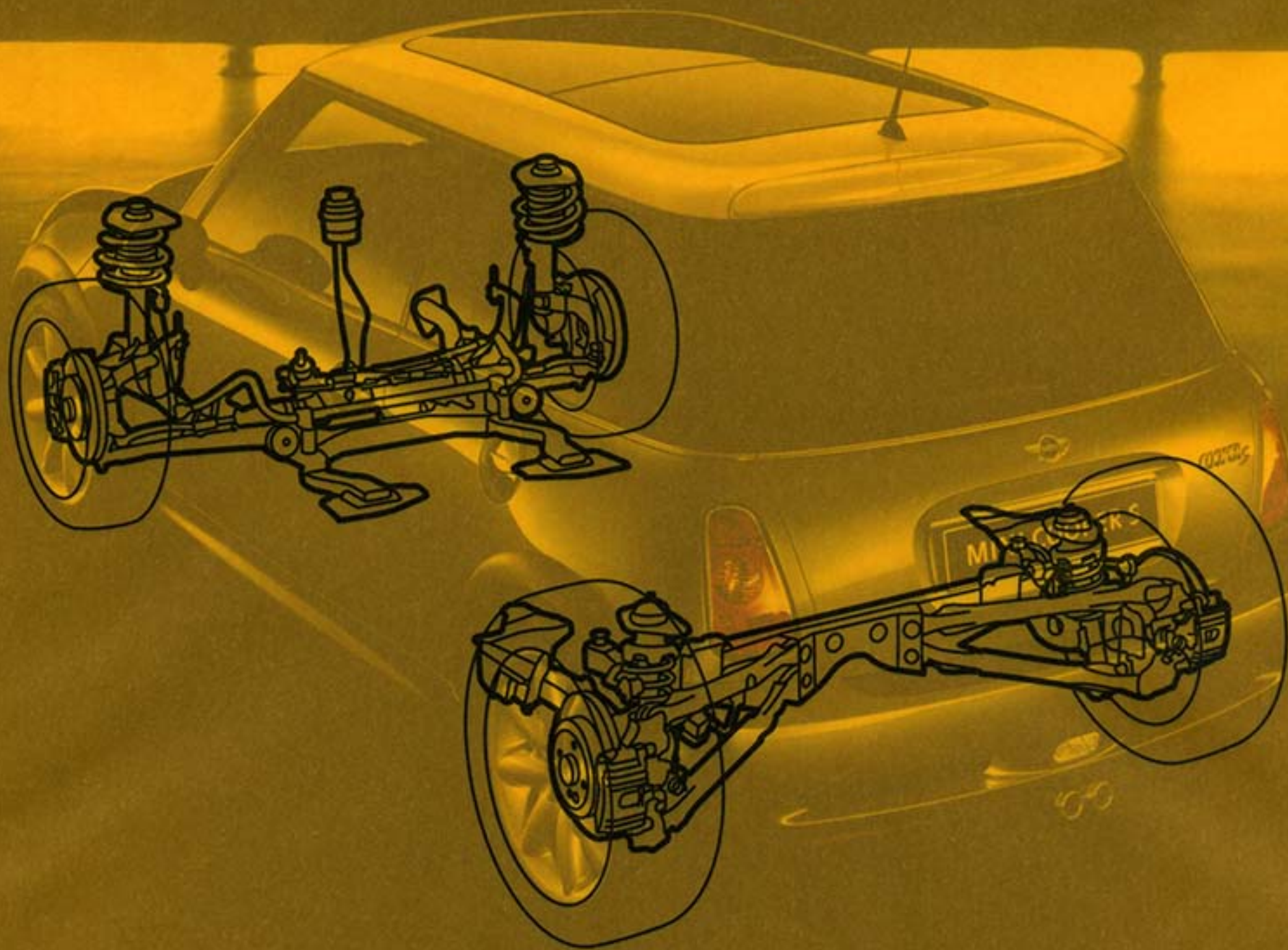


WORTH GROWING UP FOR.

MINI owners have had a thing about driving ever since they were kids ①. They've always believed you can't have too much of a good thing ②. Finally, they grow up and buy a real sports car ③. With a long wheelbase, wide track, and low centre of gravity: the MINI Cooper S.

As agile as any go-kart.

- Long wheelbase, wide track, low centre of gravity
- Sports tuning
- Multilink axle design for perfect cornering
- Exceptionally rigid construction
- Excellent handling
- Go-kart feeling on all road surfaces

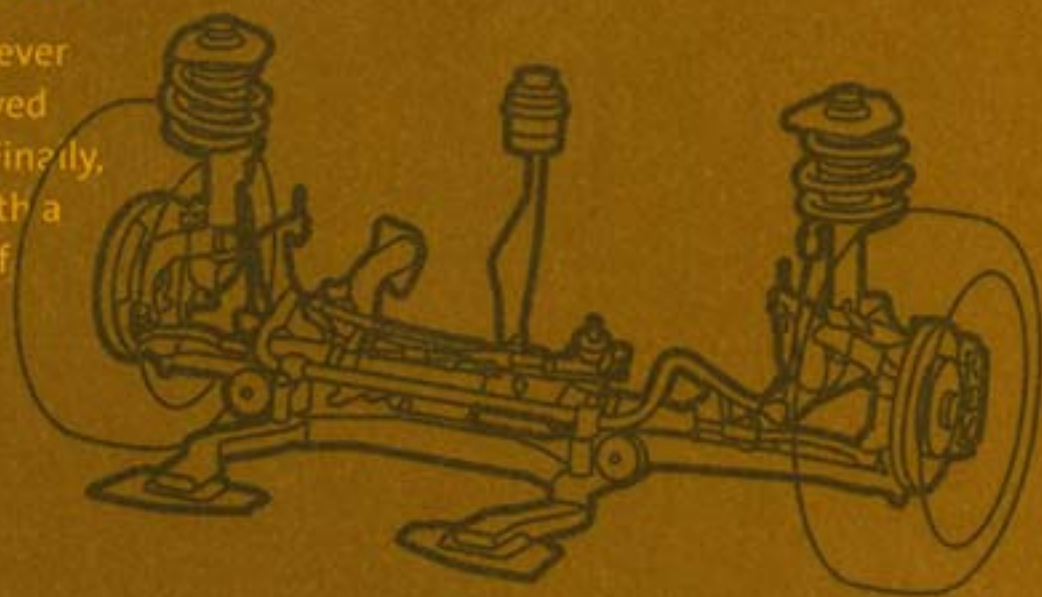
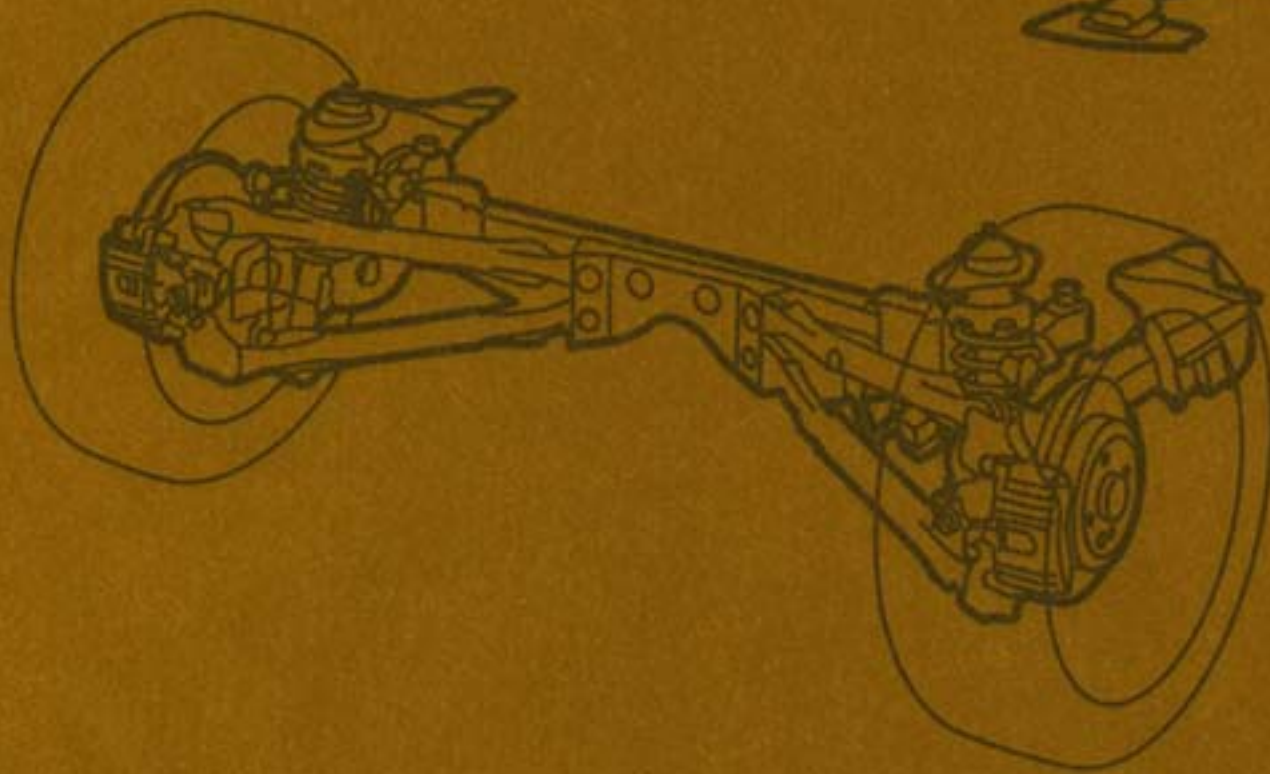


- Go-kart feeling on all road surfaces
- Excellent handling
- Exceptionally rigid construction
- Multilink axle design for perfect cornering
- Sports tuning
- Long wheelbase, wide track, low centre of gravity



WORTH GROWING UP FOR.

MINI owners have had a thing about driving ever since they were kids ①. They've always believed you can't have too much of a good thing ②. Finally, they grow up and buy a real sports car ③. With a long wheelbase, wide track, and low centre of gravity: the MINI Cooper S.

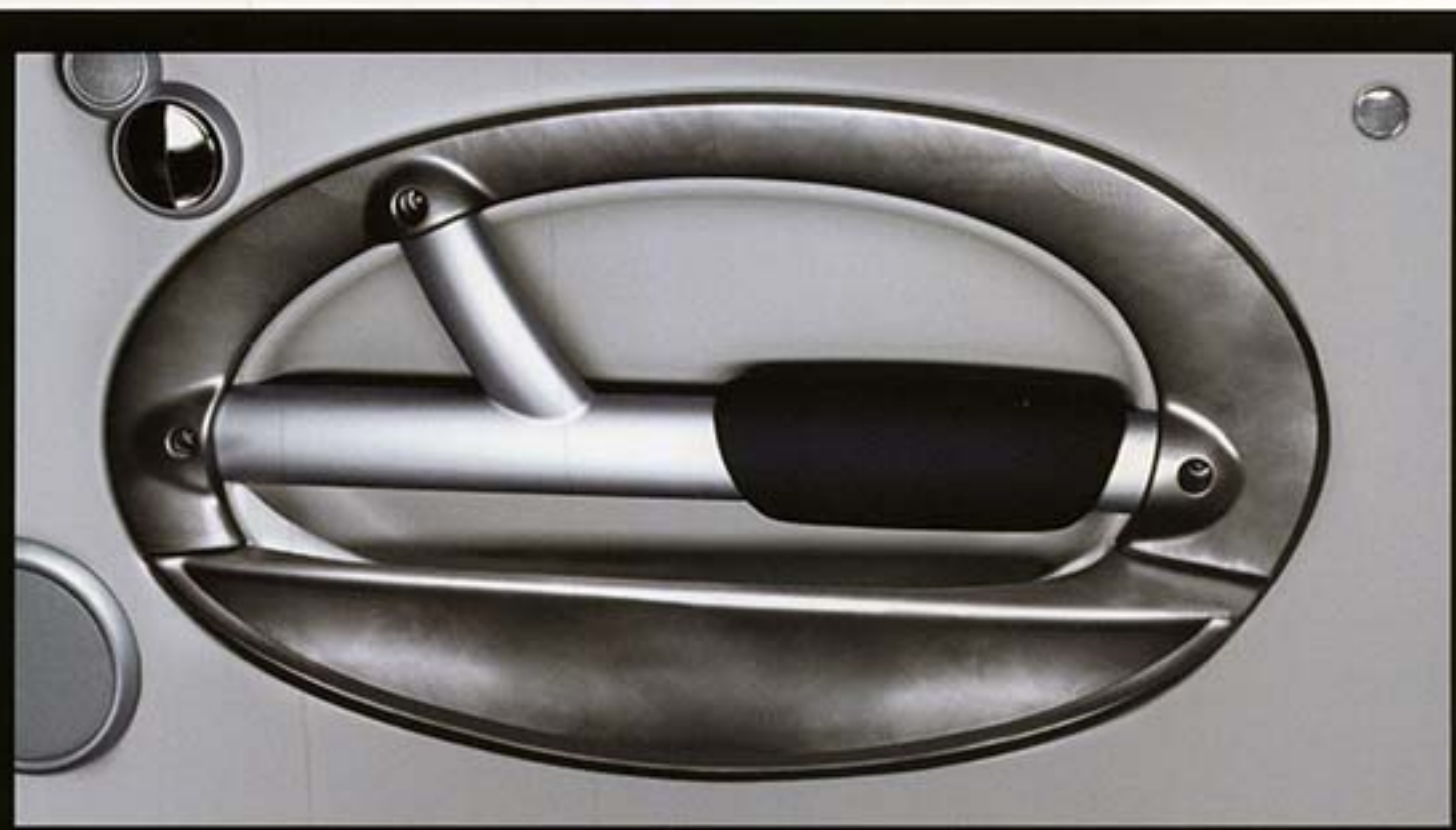






- **Sporty finish:** The air intake on the bonnet gives an outward clue to the power that lies beneath.
- **A shining light:** with the gleaming chrome white indicator light, turning off the main road becomes a pleasure in its own right.
- **Seductive curves:** the famous red "S" is reminiscent of the twisting roads that MINI drivers enjoy the most.
- **Twice as nice:** the chrome central exhaust pipe of the MINI Cooper S looked so good that we decided to give you two of them. And the sound is engineered in such a way that they are a pleasure as much for the ear as the eye.







R

1

3

5

2

4

6

DRIVEN TO DISTRACTION.

You're about to get out of your car and paint the town red. But first, time for a quick check in the mirror ①. Everything OK ②? And now one last look round the interior of the MINI Cooper S. Gorgeous ③. Nothing outside can possibly be as beautiful as the inside of your car.



An interior nobody can resist.

- Dashboard with central tachometer and rev counter mounted on steering column
- Chrome-plated ASC rocker switch on central console
- Leather gearstick with chrome trim
- Leather steering wheel
- Sports seats as standard
- MINI Cooper "S" logo on sill strip





NOT EVERYTHING ON THE ROAD IS GUARANTEED TO MAKE YOU HAPPY.

Rusty nails ①, broken glass ②, spiky objects ③. No matter what the MINI Cooper S encounters on its travels, run-flat technology means it can continue driving on a flat tyre – and even brake where necessary.

The exclusive design of the MINI Cooper S.

Choice of eight colours including two exclusive to the Cooper S: Electric Blue and Dark Silver

Sports bumpers

Chrome-plated fuel filler flap behind rear spoiler

Front and rear trim panels

Rear spoiler

17-inch X-lite light-alloy wheels plus 17-inch SA spokes as an optional extra

Runflat technology with TDI (Tyre Defect Indicator)





NOT EVERYTHING ON THE ROAD IS GUARANTEED

TO MAKE YOU HAPPY.

Rusty nails ①, broken glass ②, spiky objects ③. No matter what the MINI Cooper S encounters on its travels, run-flat technology means it can continue driving on a flat tyre – and even brake where necessary.

■	Runflat technology with TDI (Tyre Detect Indicator) as an optional extra
■	17-inch X-life light-alloy wheels plus 17-inch 2A spokes
■	Rear spoiler
■	Front and rear trim panels
■	Chrome-plated fuel filler flap behind rear spoiler
■	Sports bumpers
■	Choice of eight colours including two exclusive to the Cooper S: Electric Blue and Dark Silver
■	The exclusive design of the MINI Cooper S.









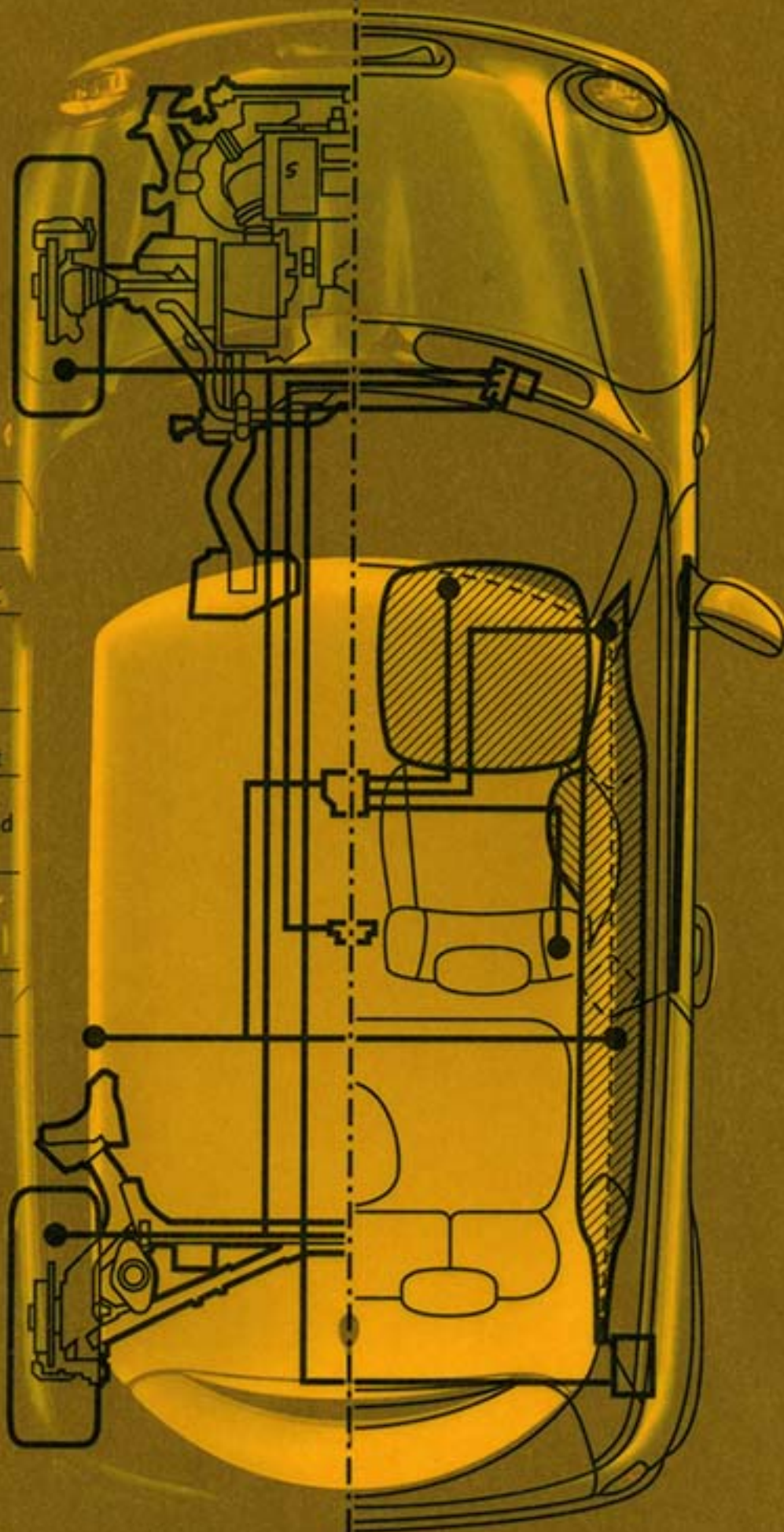


ONE THING YOU CAN RELY ON . . .

. . . is the MINI's safety. Whatever comes your way ①, the car must respond instantly ②. The ASC system ensures perfect roadholding, making your life a whole lot easier – and safer ③.

Maximum safety in your MINI.

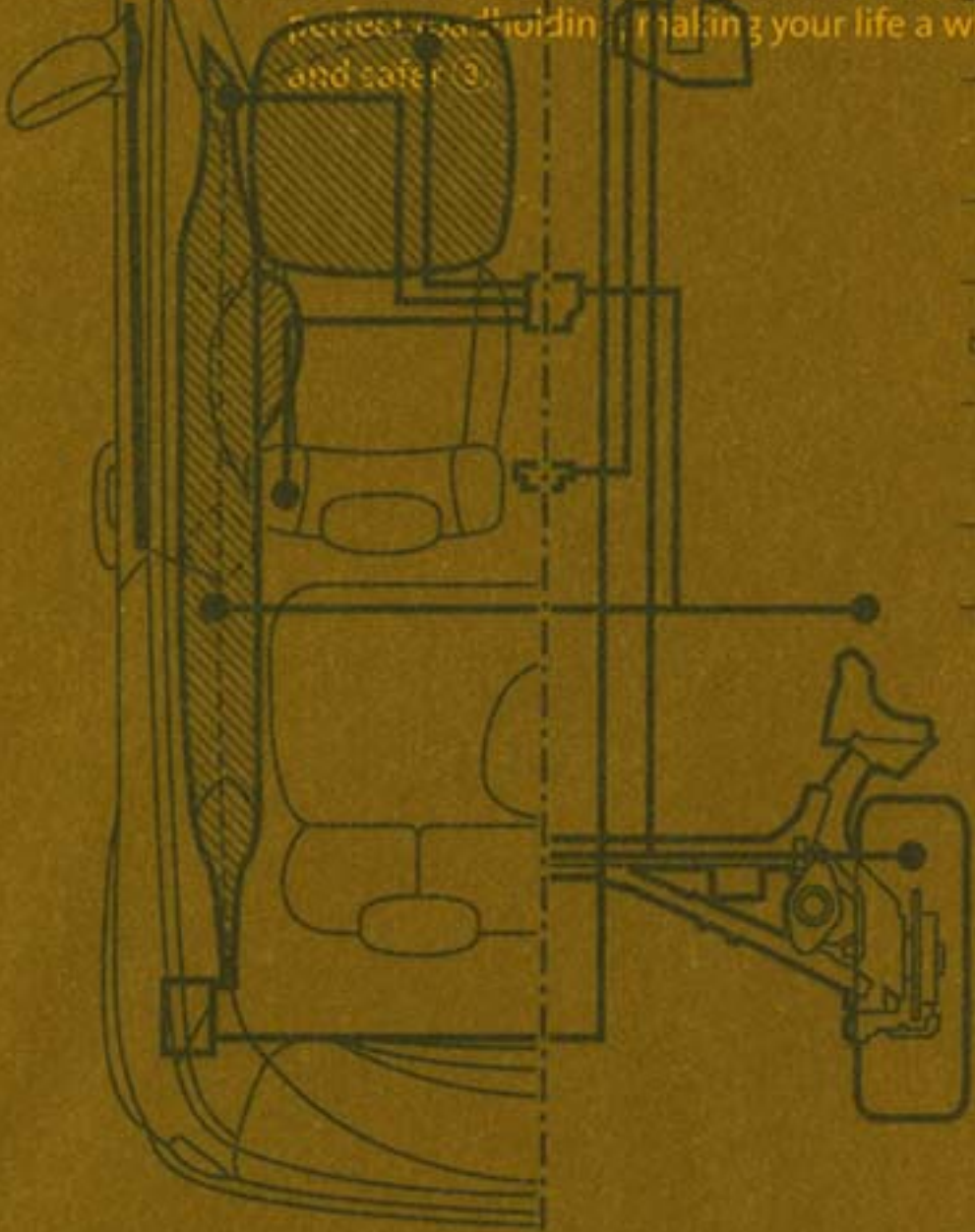
- Front seatbelts with pyrotechnic belt tensioners and belt force limiters
- Electronic control systems with ABS, EBD, CBC, ASC + T and, if required, DSC
- Four airbags as standard, plus two optional head airbags for maximum safety
- Fulfills all requirements to achieve four stars in European NCAP crash test
- Secure passenger compartment, due to the extreme torsional and flexional rigidity of the bodywork
- Doors with reinforced upper and central sections for side impact protection
- Crash sensor automatically unlocks doors in the event of an accident





ONE THING YOU CAN RELY ON . . .

... is the MINI's safety. Whatever comes your way, the car must respond instantly ②. The ASC system ③ provides perfect road holding, making your life a whole lot safer.



- Maximum safety in your MINI.
- Front seats belts with pretensioners and belt force limiters.
- Electronic control system with EBD, ASC + T and, if required, DSC.
- Four airbags as standard, plus two optional head airbags for maximum safety.
- Fulfills all requirements to achieve four stars in European NCAP crash test.
- Secure passenger compartment, due to the extreme torsional and flexional rigidity of the bodywork.
- Doors with reinforced upper and central sections for side impact protection.
- Crash sensor automatically unlocks doors in the event of an accident.







NO CHEAP SEATS HERE.

Go to a show ①, and you'll usually pay extra for the best seats in the house ②. Not so with the MINI Cooper S: all four seats are equally comfortable ③. There's just as much room for your passengers as there is for you.

COLOURS.

STANDARD COLOURS



BLACK



CHILI RED



LIQUID YELLOW

METALLIC COLOURS



ELECTRIC BLUE



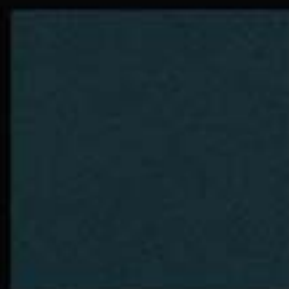
DARK SILVER



PURE SILVER



INDI BLUE



BRITISH RACING GREEN

ROOF COLOURS



BLACK



WHITE

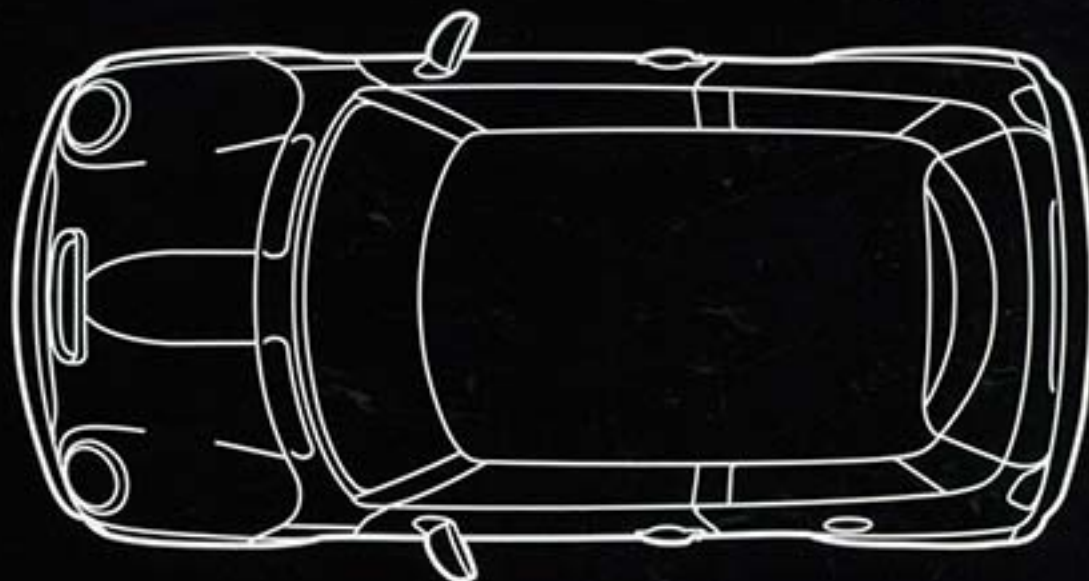
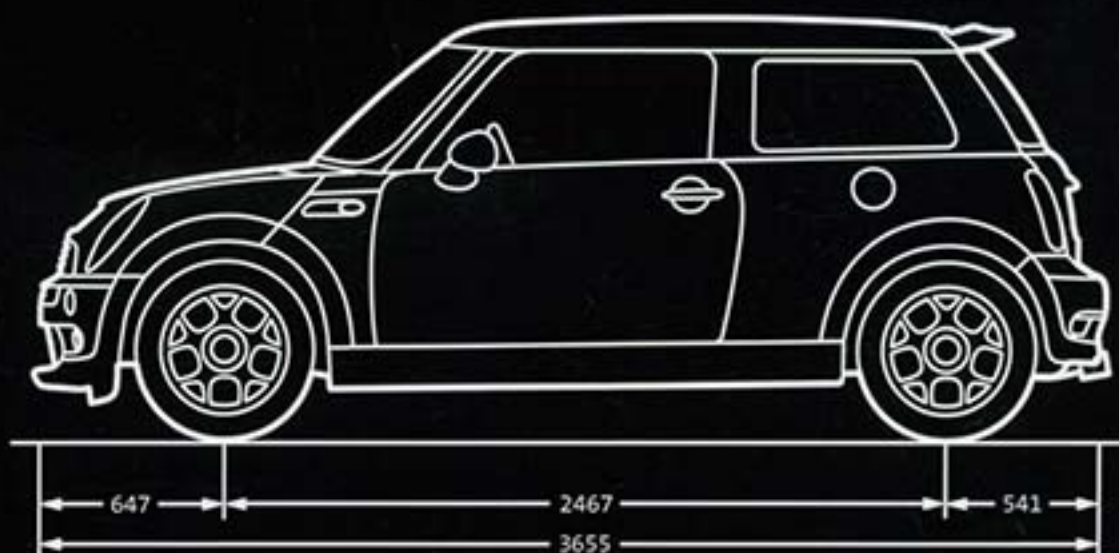
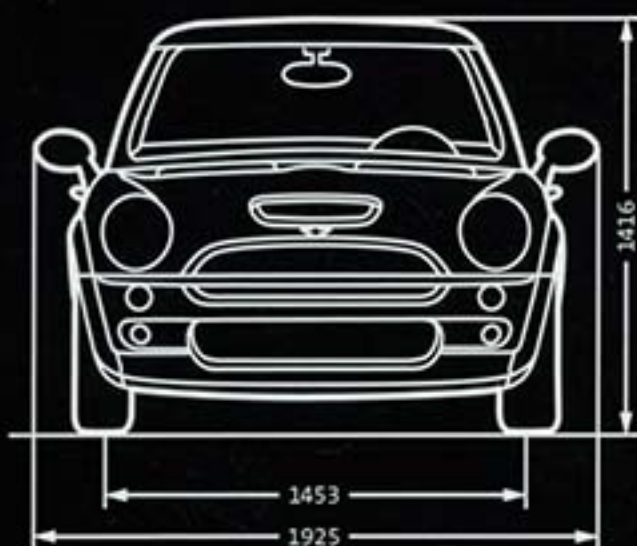
EQUIPMENT.

Air Conditioning, manual	<input type="checkbox"/>	16" X-Lite light-alloy wheels with 195/55 tyres	<input checked="" type="checkbox"/>
Alarm System with Remote Control	<input type="checkbox"/>	17" 5-Spoke light-alloy wheels with 205/45 tyres	<input type="checkbox"/>
Aluminium look interior trim	<input checked="" type="checkbox"/>	Metallic Paint	<input type="checkbox"/>
Ashtray and cigar lighter	<input type="checkbox"/>	Multi-link rear axle	<input checked="" type="checkbox"/>
Automatic Climate Control	<input type="checkbox"/>	Panoramic Glass Sunroof	<input type="checkbox"/>
Automatic Stability Control + Traction (ASC+T)	<input checked="" type="checkbox"/>	Park Distance Control (PDC)	<input type="checkbox"/>
Bonnet stripes	<input type="checkbox"/>	Radio BOOST (Radio/Cassette)	<input type="checkbox"/>
Chili Pack	<input type="checkbox"/>	Radio BOOST -	<input type="checkbox"/>
Cloth/Leather Upholstery	<input type="checkbox"/>	MiniDisc player instead of cassette	<input type="checkbox"/>
Dynamic Stability Control (DSC)	<input type="checkbox"/>	Radio BOOST -	<input type="checkbox"/>
Electric Front Windows	<input checked="" type="checkbox"/>	CD player instead of cassette	<input type="checkbox"/>
Halogen Front Fog Lights	<input type="checkbox"/>	6 CD Changer in boot	<input type="checkbox"/>
Head Airbags	<input type="checkbox"/>	Radio WAVE (Radio/Cassette)	<input type="checkbox"/>
Headlight Wash System	<input type="checkbox"/>	Rain Sensor	<input type="checkbox"/>
Heated wing mirrors and washer nozzles	<input type="checkbox"/>	Rev Counter	<input checked="" type="checkbox"/>
Height-adjustable Driver's seat	<input checked="" type="checkbox"/>	Roof in body colour	<input type="checkbox"/>
Height-adjustable Passenger's seat	<input type="checkbox"/>	Satellite Navigation System	<input type="checkbox"/>
HiFi system - Harmon Kardon	<input type="checkbox"/>	Sport Seats	<input checked="" type="checkbox"/>
Interior lights' package	<input type="checkbox"/>	Sports Suspension PLUS	<input checked="" type="checkbox"/>
ISOFIX Child Seat Fittings	<input type="checkbox"/>	Stowage Package	<input type="checkbox"/>
Leather Steering Wheel/Gearknob	<input checked="" type="checkbox"/>	Trip Computer	<input type="checkbox"/>
Leather Upholstery	<input type="checkbox"/>	Velour floor mats	<input type="checkbox"/>
Light-alloy wheels, painted in white, only with white roof*	<input checked="" type="checkbox"/>	Visibility Package	<input type="checkbox"/>
16" 5-Star light-alloy wheels with 195/55 tyres	<input type="checkbox"/>	Xenon Lights	<input type="checkbox"/>
		<input checked="" type="checkbox"/> Standard Equipment <input type="checkbox"/> Optional Equipment	

TECHNICAL DATA.

Unladen weight (EU)	1215 kg
Nominal power	120 kW (163 bhp) at 6000 rpm
Acceleration 0 - 100 km/h	7.4 sec
Top speed	218 km/h
Fuel consumption (combined)	8.4 l/100 km tbc
Fuel consumption (urban)	11.6 l/100 km tbc
Fuel consumption (extra urban)	6.6 l/100 km tbc
Luggage capacity	150 l
Tank capacity	50 l

* available in silver on request



All dimensions in mm.

The models illustrated in this brochure show the specifications for various markets and not specifically for Australia. In part, they include optional equipment and accessories not fitted as standard. According to the specific requirements of other markets, alterations in models, standard and optional equipment, as described in the text and illustrations, may occur. For precise information, please contact your MINI Dealer. The people, quotes and events described in this catalogue are entirely fictitious and any resemblance to actual persons, living or dead is purely coincidental. Subject to change in design and equipment. Subject to error.

© BMW AG, Munich/Germany. Not to be reproduced, wholly or in part without written permission of the BMW AG, Munich.

For more information, visit: www.MINI.com

1 11 05 01 50 20 (S) 2 2001 GM. Printed in Germany 2001.



MINI COOPER

AUSTRALIAN SPECIFICATIONS



MINI STANDARD AND OPTIONAL EQUIPMENT



Standard equipment

	MINI Cooper
Transmission	
5 - Speed manual	\$32,650
6 - Speed CVT automatic with Steptronic	\$34,850
Exterior features	
Chrome exterior door handles	■
Electrically adjustable wing mirrors (high gloss black or white)	■
Metallic paint	\$650
Roof in body colour, mirror caps in black	■
White roof and mirror caps	■
Black roof and mirror caps	■
Front and rear bumper in body colour with chrome trim	■
Chrome exhaust pipe	■
Chrome radiator grille	■
Rear windscreen wiper	■
Tinted glass	■
Glass sunroof, electric	\$1,750
Front foglights	\$290
Light alloy wheels painted white in conjunction with white roof	no cost
8 - spoke light alloy wheels, 15 - inch	■
5 - star light alloy wheels, 16 - inch	\$900
Sports suspension	■
Sports suspension PLUS	\$410
Interior features	
Leather steering wheel, height adjustable	■
Cruise control and multi-function steering wheel	\$700
Revolution counter (1)	■
Service interval indicator	■
On-board computer	■
Cloth Kaleido upholstery	■
Cloth/leather upholstery (with front seat lumbar support)	\$1,020
Soft leather upholstery (with front seat lumbar support)	\$2,410
Profile leather upholstery (with front seat lumbar support)	\$2,410
Sports seats	\$610
Easy entry front seats	■
Front seat heating	\$530
Seat belt (height adjustable)	■
ISOFIX child seat restraint points	■
Rear seats, split folding	■
Rear headrests (two)	■
Storage nets in the back of the front seats	■
12 - volt socket in boot	■
Air conditioning with micro-filter	■
Automatic climate control	\$610

(1) Australian vehicles will include the rev-counter centrally positioned on the dashboard and the speedometer on the steering column.

MINI STANDARD AND OPTIONAL EQUIPMENT

	MINI Cooper
Interior features continued	
In-dash CD radio system with 4x20 watt output	■
In-dash mini disc player, (replaces CD)	\$290
Driver and passenger foot well lights	■
Interior light package (includes illuminated vanity mirrors & front reading lights)	\$200
Digital clock	■
Three cup holders	■
Brilliant silver interior door cladding	■
Electric front window controls	■
Central door locking, remote control	■
Car memory	■
Safety	
Anti-lock Braking System	■
Single-joint front axle suspension strut	■
Multi-joint rear axle	■
Automatic Stability Control and Traction (ASC + T)	\$290
Electronic vehicle immobiliser	■
Remote-controlled alarm system	\$570
Tyre Defect Indicator and MINI Mobility System	■
Crash Sensor	■
Bumpers with reboundable aluminium impact absorbers	■
Restraint system with belt tensioners and belt force limiters	■
Impact Dependant driver and passenger airbags	■
Head airbags for front and rear passengers	■
Side airbags for front passengers	■

Standard ■
equipment

MINI WARRANTY.

2 years unlimited kilometre warranty with 2 year MINI Roadside Assistance.

MINI FINANCIAL SERVICES.

Enquire at your dealer about finance packages.



MINI COOPER

PAINTWORK AND UPHOLSTERY

■ Recommended colour combinations

● Possible colour combinations

Roof and exterior mirrors

				Metallic paintwork					Non-metallic paintwork		
				Silk green	British racing green	Indi blue	Cosmos black	Pure silver	Liquid yellow	Chilli red	Black II
White				■	■	■	■		■	■	■
Black				●	●	●		■	■	●	
Body coloured roof and black exterior mirrors				●	●	●	●	●	●	●	●

Upholstery

	Upholstery colour	Interior colour (1)	Dashboard trim								
Kaleido cloth	Panther black	Silver grey	Silver	■	■	■	■	■	■	■	■
	Panther black	Panther black	Silver	■	■	■	■	■	■	■	■
	Tartan red	Tartan red	Silver		■		■	■		■	■
Cloth/leather combination	Panther black	Panther black	Silver	■	■	■	■	■	■	■	■
	Tartan red	Tartan red	Silver		■		■	■		■	■
Profile leather	Panther black	Panther black	Silver	■	■	■	■	■	■	■	■
Soft leather	Cordoba (2) beige/black	Cordoba beige	Silver		■	■	■	■			■

(1) Includes door trims and major interior parts

(2) Cordoba beige soft leather not available with sport seats

NOTICE TO CUSTOMERS

While BMW Group Australia, the distributor of the MINI, has endeavoured to ensure that all representations, specifications, prices and descriptions contained in these materials are correct at the time of printing, vehicle features, prices and performance are subject to change without notice. Performance specifications are subject to variation due to operating conditions and between vehicles. Recommended retail prices are shown and exclude on road costs. The information contained in this brochure may need to be read in conjunction with other materials and information available from BMW Group Australia. To the extent permitted by law, BMW Group Australia excludes all liability, whether direct, indirect, special or consequential, arising from negligence or otherwise, for any non-compliance by any vehicle with any specifications, descriptions, representations, pictures, colours or other information contained in this brochure. Where, by law, BMW Group Australia is not permitted to exclude its liability, its liability will be limited to, at its discretion, fixing the goods, supplying the goods again or supplying equivalent goods. Part no. 8888 1900 463, 11/2001.